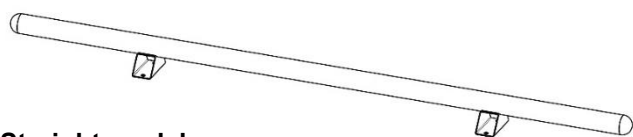
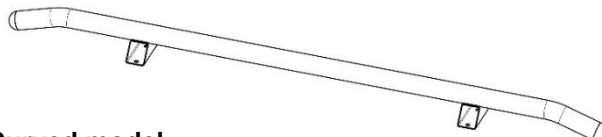


Parking Wheel Stop PRM* Safety Barrier

(*Persons with Reduced Mobility)



Straight model



Curved model

- Parking Wheel Stop designed to cushion vehicles, protect walls, or define access limits.
- PRM safety barrier to be fixed on access ramps or similar areas: prevents wheelchairs from tipping or rolling off edges, while ensuring a smooth and safe passage.
- Available in two shapes: straight tube or curved tube.

Technical Description

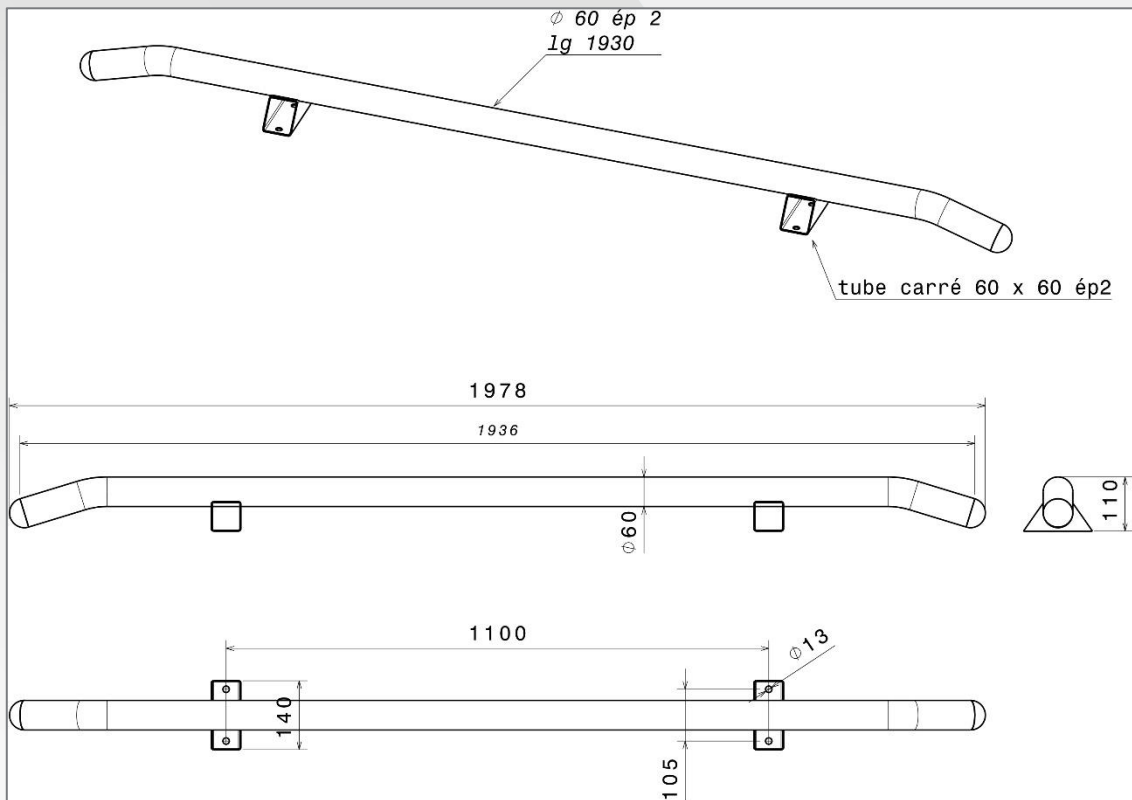
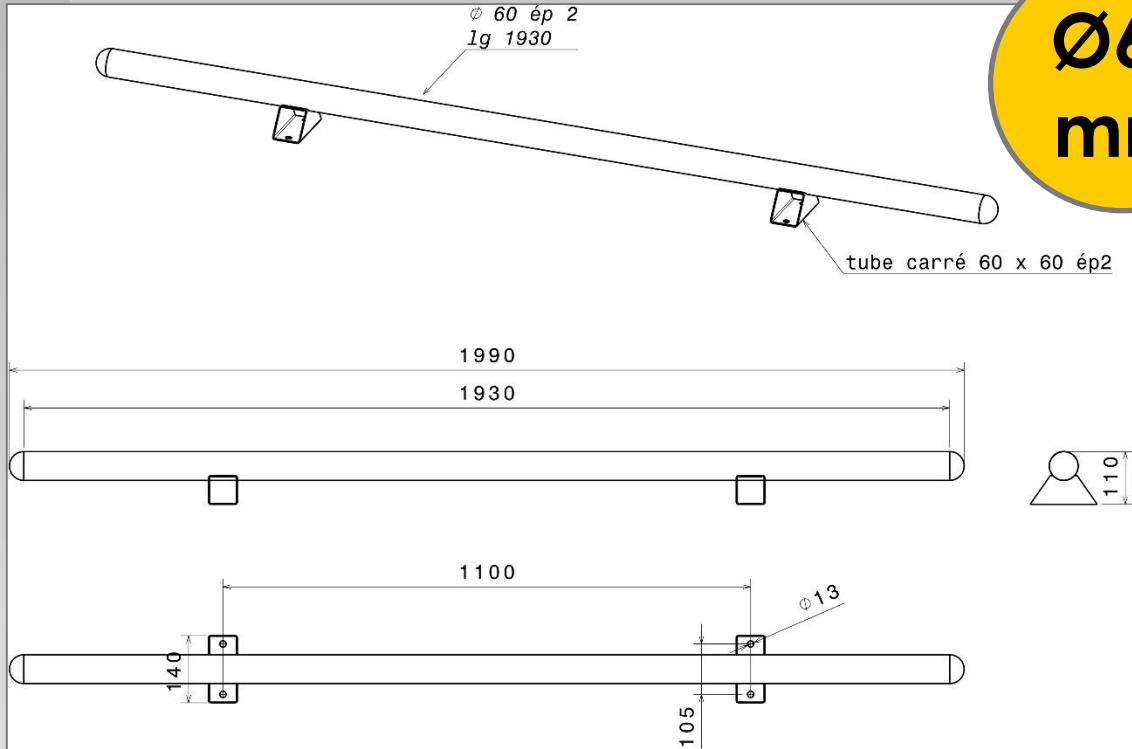
- Overall length: 200 cm
- Height: 11.5 cm
- Two diameters available: Ø 60 mm (6.5 kg) or Ø 76 mm (7.8 kg), both with 2 mm wall thickness
- Two finishes: galvanized, or zinc-coated + yellow epoxy powder coating

% of recycled material in the product	70 %
% recycled product in packaging	70 %
Hazardous substance > 0.1%	No
Repairability Index	10 / 10
Recyclable product	Yes

Art. Code	EAN	Diameter	Finish	Weight
Straight model				
M038S60GA	3234640064239		Galvanized	
M038S60ZJ	3234640064246	Ø 60 mm	Zinc-coated + yellow epoxy powder coating	6,50 kg
M038S60ZGR	3234640064345		Zinc-coated + painted RAL 7016 grey	
M038S76GA	3234640064253		Galvanized	
M038S76ZJ	3234640064260	Ø 76 mm	Zinc-coated + yellow epoxy powder coating	7,80 kg
M038S76ZGR	3234640064352		Zinc-coated + painted RAL 7016 grey	
Curved model				
M039S60GA	3234640064277		Galvanized	
M039S60ZJ	3234640064284	Ø 60 mm	Zinc-coated + yellow epoxy powder coating	6,50 kg
M039S60ZGR	3234640064369		Zinc-coated + painted RAL 7016 grey	
M039S76GA	3234640064291		Galvanized	
M039S76ZJ	3234640064307	Ø 76 mm	Zinc-coated + yellow epoxy powder coating	7,80 kg
M039S76ZGR	3234640064376		Zinc-coated + painted RAL 7016 grey	

Parking Wheel Stop

**Ø60
mm**



Parking Wheel Stop

**Ø76
mm**

