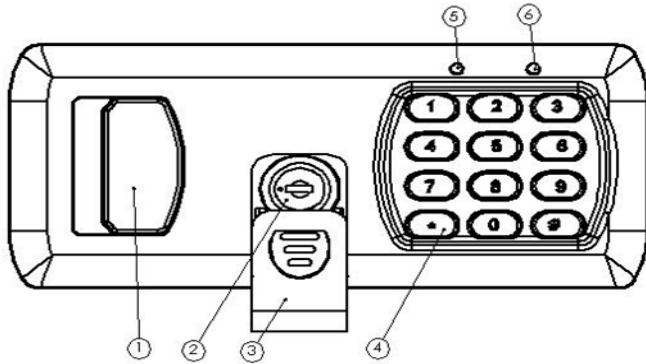


Digital Lock – Instruction Manual



- 1: Handle
- 2: Override Key (Do Not Put The Key In Box)
- 3: Key lock cover
- 4: Buttons
- 5: Blue Light (Open)
- 6: Red Light (Error& Low Battery)

1. Opening your box using the override key

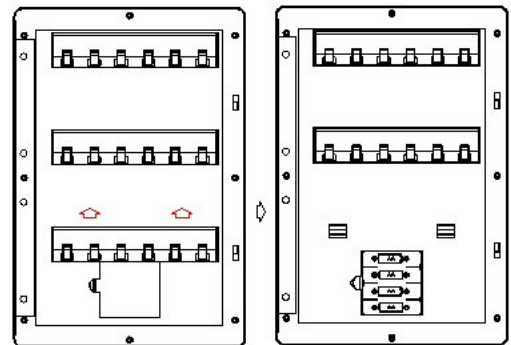
Remove cover from key lock. Insert override key into key lock, turn the key clockwise to the unlock position to push the handle down to open it

2. Installing batteries

Slide the cover off the battery compartment.

Properly insert batteries, replace cover, and close the box lid.

The key lock must be reverted to the lock position again.



3. * means CHANGE and # means INPUT

4. default code 0#

When the default code is entered the box can be opened
if not opened in 5 seconds the box will re-lock itself

5. How to change the code (1 to 8 digits)

Example: enter the default code of 0 then enter * then put in the code 12345678 then press #

The code changing is complete, use the new code of 12345678 and # to open

If changing it back to the default code is needed then enter 12345678*0#

6. If the code entered is incorrect there will be 2 beeps, 4 incorrect inputs will trigger the beeping lasting for 1 minute, press any key to stop the beeping. Wait 10 seconds to re-enter the code

7. When the battery is low, the opening of the box will be the same with the additional 3 beeps. Please change batteries immediately as the lowering of the battery voltage could cause the box not being able to open

