



UNILUX

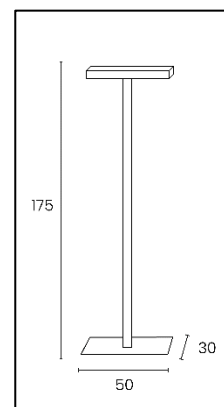
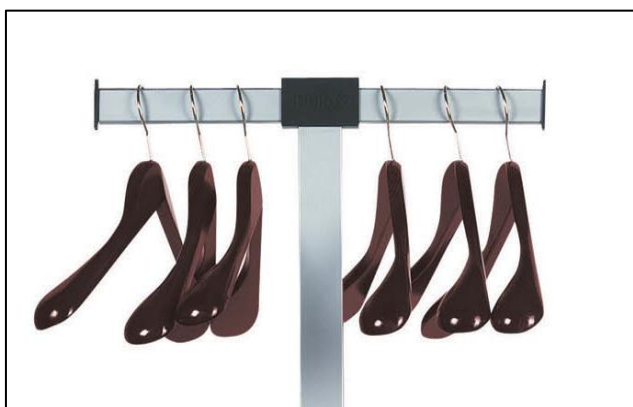
SPIRIT

SPIRIT



- **Ergonomic:** The SPIRIT coat rack is the ideal compromise between the conventional coat rack and the professional wardrobe. Supplied with 6 mahogany hangers, SPIRIT will accommodate all types of clothing. Their studied shape ensures the protection of the clothes: no deformation, even in long storage. They are positionable on the upper carrying bar, with a length of 50cm.
- **Functional and robust:** Its ADX steel structure and rectangular base ensure its stability and robustness and allow it to withstand heavy clothing (e.g. leather jackets) without difficulty.
- **Easy assembly:** Composed of 4 large parts, the assembly of SPIRIT is done in 3 steps, effortlessly. Allen key provided.

Capacity of 6 hangers
Height: 175 cm
Steel base: 50x30 cm
Materials: ADX steel, epoxy paint. Solid wood hangers (mahogany)



SAP no.	100340626
EAN code	3595560007196
Colors	Grey metal
Height	175 cm
Base diameter (cm)	50 x 30 cm
Base net weight (kg)	/
Maximum Load (kg)	/
Revolving head	No
Umbrella stand	No
Capacity of umbrellas	0
Drip tray	No
Mounting (min)	3 mins
Net weight: Kg	10,3

OUR CSR COMMITMENTS

1. All our lighting are **100% repairable** thus limiting planned obsolescence.
2. Reduce our carbon footprint through our **ECO-DESIGN THINKING** approach.
3. Contribute to the preservation of the planet's natural resources by promoting the use of **recycled materials**.
4. Optimize our packaging to control our **transport costs**. 65%
5. Highlight the **talent of our employees** by ensuring social equality.

OUR EXPERTISE

Why invest in a coat stand ?

Depending on the size of our workspace, our office can quickly become a storage nightmare. We've got so much to put away! However, the key is to organize them so that they don't take over. One way of doing this is to invest in free-standing coat stands. These are essential items that you can use to store your belongings in one place. It's an item you can use to hang your coats, hats, scarves, bags, umbrella, You name it.

What are the advantages of investing in a coat stand ?

There are many advantages to investing in a floor-standing coat stand:

- Made from high-quality materials
- Easy to assemble and maintain for years of use
- Helps keep your home clutter-free by giving you extra space to hang jackets, handbags, umbrellas, etc.

Here are 4 important criteria for choosing a good coat stand

The material: A common problem with workspaces fitted with coat racks is that they are not strong enough to support the weight of heavy winter clothes during the colder months. So it's important to choose solid materials - we recommend investing in something like steel or, more eco-consciously, wood.

- **Stability:** Freestanding coat racks are supported by a heavy steel base that makes them exceptionally stable. The stability of this type of coat stand is very important, especially in high-traffic areas such as reception halls, meeting rooms, break rooms, etc.
- **Capacity:** Depending on the number of people in the room, you'll need to choose a coat stand with more or less hooks. It's a criterion we don't pay much attention to, yet it's very useful if you want to be able to hang up all your staff's coats.
- **Design:** Finally, aesthetics play an increasingly important role since the COVID-19 crisis. More and more employees are looking to recreate a cocooning space in their office to improve their well-being. UNILUX offers a wide range of designs to suit all personalities.


OUR CERTIFICATIONS


Unilux is committed to an eco-responsible approach and ensures that its products respect this commitment. Indeed, we are very concerned about current environmental issues and we aspire to respond as best as possible to the concerns of our consumers on this subject. Sustainable development is at the heart of our strategy and we act for the environment. You will find below the different certifications that Unilux has and that prove its environmental commitment.





USER GUIDE

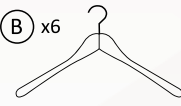
i

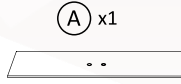
 x1


 4 mins


 x1





 (B) x6


 (A) x1


 (C) x1

 (D) x1

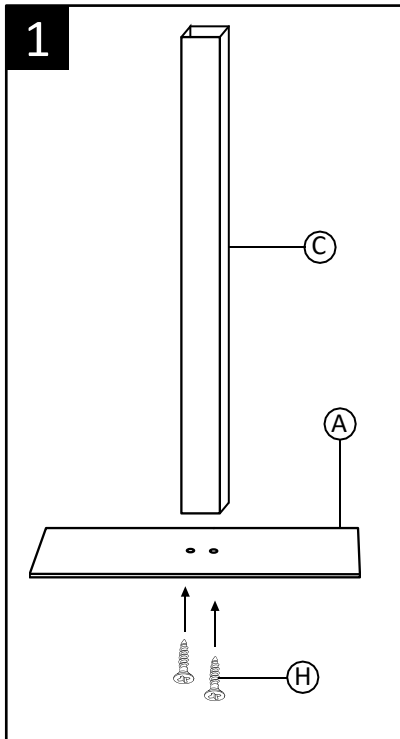
 (E) x1

 (F) x1

 (G) x1

 (H) x1

1

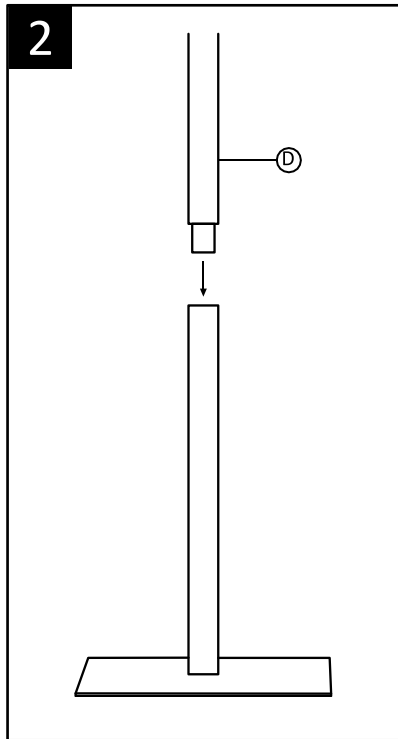


(C)

(A)

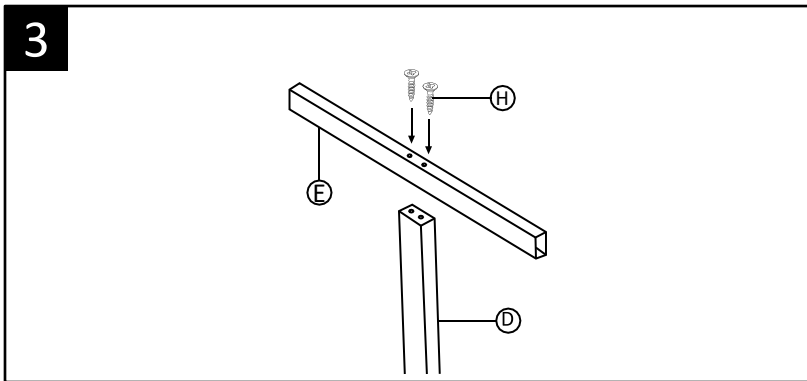
(H)

2



(D)

3

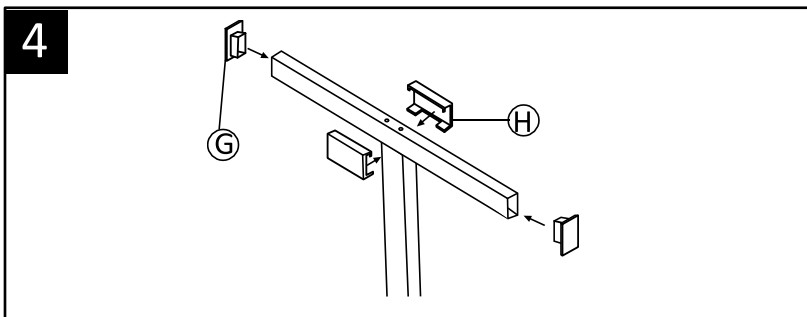


(E)

(D)

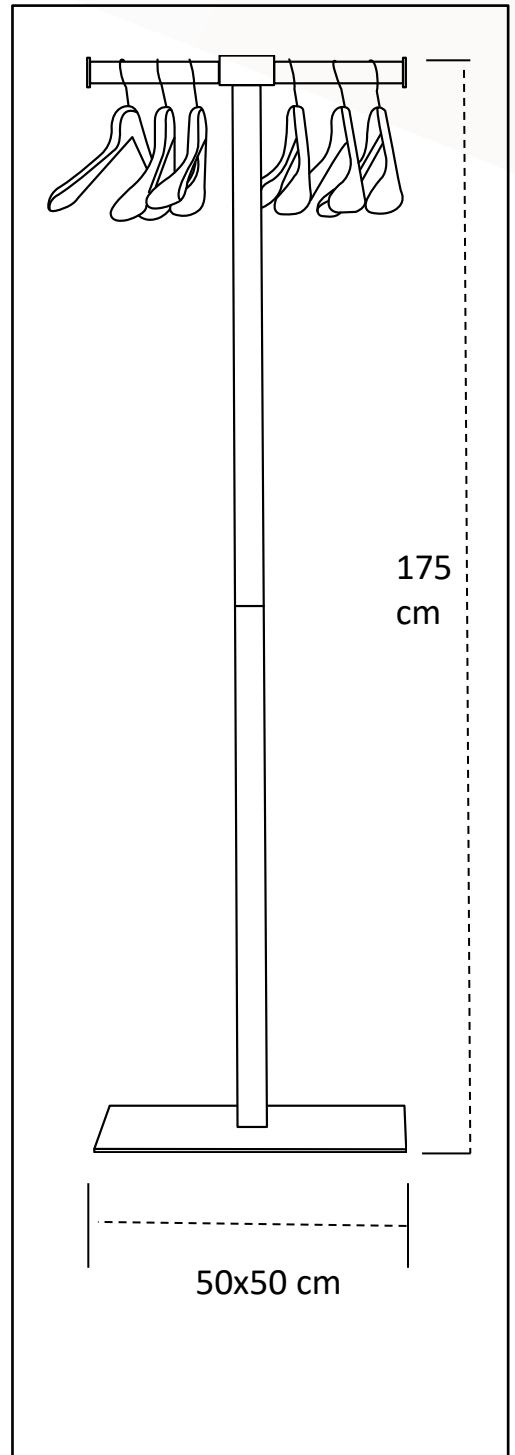
(H)

4



(G)

(H)



175 cm

50x50 cm