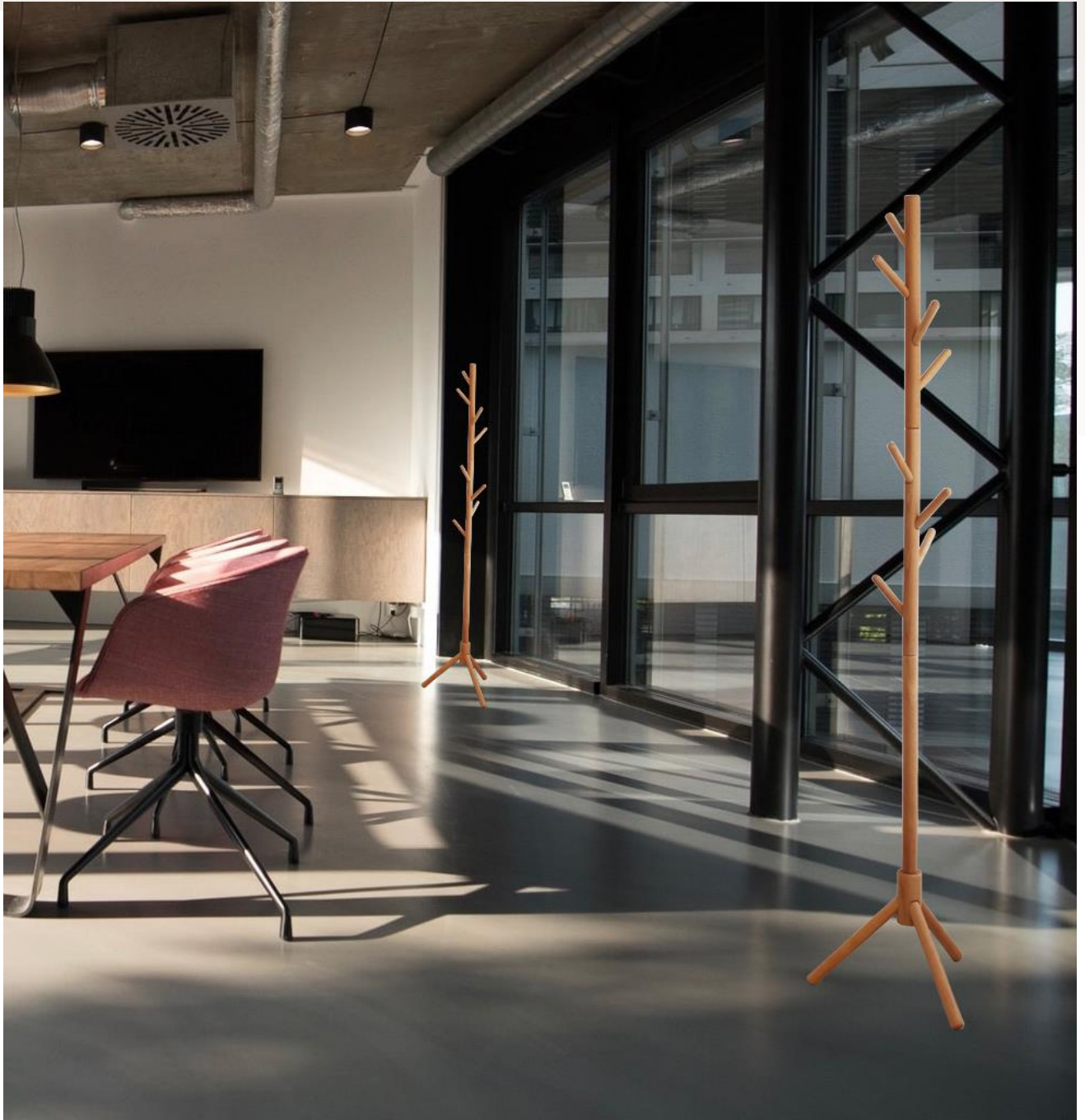




UNILUX

MIKADO & MIKADO junior



MIKADO junior



MIKADO & MIKADO junior



- **Original design:** this beech coat rack with rounded hooks is an essential accessory. With an original and trendy design, it will easily integrate into any office space (individual or collective).
- **Functional:** 8 rounded hooks arranged in staggered shapes designed to prevent clothing from deforming.
- **Robustness and maneuverability:** of robust design, this coat rack is ideal for storing jackets, coats and various accessories (bags, hats, scarf) and is easily transported from one workspace to another.
- **Stability:** its tripod-shaped base ensures good stability.
- **Simple assembly:** easy and fast assembly (4 mins) without tools.
- **Complementary products:** coat rack perfectly coordinated with VICKY LED lamp, PRYSKA floor lamp, ACCESS coat rack and ERGO WELL electric desk.
- Available in two sizes

8 hooks

MIKADO height: 177 cm / MIKADO junior height: 127 cm

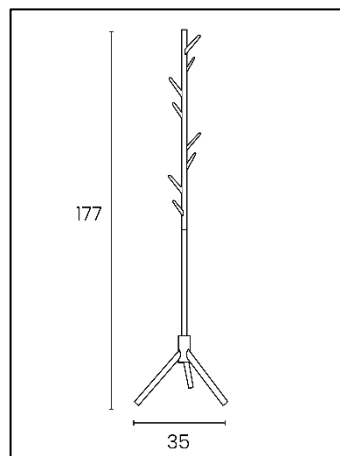
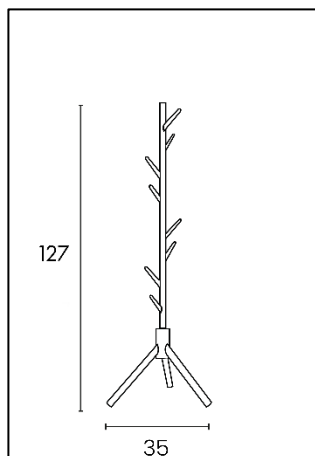
Tube diameter: 3 cm

Weighted base: 5.6 kg

Base diameter: 35 cm

Materials: entirely wood* beech

Recyclability: dismantling and reintegrating materials into the material use circuit



SAP no.	400168616	400124574
EAN code	3595560037162	3595560029709
Colors	Bamboo	Bmaboo
Height	127 cm	177 cm
Base diameter (cm)	35 cm	35 cm
Base net weight (kg)	5,6 kg	5,6 kg
Maximum Load (kg)	/	/
Revolving head	No	No
Umbrella stand	No	No
Capacity of umbrellas	8	8
Drip tray	No	No
Mounting (min)	4 mins	4 mins
Net weight: Kg	1,6	1,7

OUR CSR COMMITMENTS

1. All our lighting are **100% repairable** thus limiting planned obsolescence.
2. Reduce our carbon footprint through our **ECO-DESIGN THINKING** approach.
3. Contribute to the preservation of the planet's natural resources by promoting the use of **recycled materials**.
4. Optimize our packaging to control our **transport costs**. 65%
5. Highlight the **talent of our employees** by ensuring social equality.

OUR EXPERTISE

Why invest in a coat stand ?

Depending on the size of our workspace, our office can quickly become a storage nightmare. We've got so much to put away! However, the key is to organize them so that they don't take over. One way of doing this is to invest in free-standing coat stands. These are essential items that you can use to store your belongings in one place. It's an item you can use to hang your coats, hats, scarves, bags, umbrella, You name it.

What are the advantages of investing in a coat stand ?

There are many advantages to investing in a floor-standing coat stand:

- Made from high-quality materials
- Easy to assemble and maintain for years of use
- Helps keep your home clutter-free by giving you extra space to hang jackets, handbags, umbrellas, etc.

Here are 4 important criteria for choosing a good coat stand

The material: A common problem with workspaces fitted with coat racks is that they are not strong enough to support the weight of heavy winter clothes during the colder months. So it's important to choose solid materials - we recommend investing in something like steel or, more eco-consciously, wood.

- **Stability:** Freestanding coat racks are supported by a heavy steel base that makes them exceptionally stable. The stability of this type of coat stand is very important, especially in high-traffic areas such as reception halls, meeting rooms, break rooms, etc.
- **Capacity:** Depending on the number of people in the room, you'll need to choose a coat stand with more or less hooks. It's a criterion we don't pay much attention to, yet it's very useful if you want to be able to hang up all your staff's coats.
- **Design:** Finally, aesthetics play an increasingly important role since the COVID-19 crisis. More and more employees are looking to recreate a cocooning space in their office to improve their well-being. UNILUX offers a wide range of designs to suit all personalities.


OUR CERTIFICATIONS

Unilux is committed to an eco-responsible approach and ensures that its products respect this commitment. Indeed, we are very concerned about current environmental issues and we aspire to respond as best as possible to the concerns of our consumers on this subject. Sustainable development is at the heart of our strategy and we act for the environment. You will find below the different certifications that Unilux has and that prove its environmental commitment.



USER GUIDE

i



x1

???

www.my-unilux.com

+

(A) x1

(B) x3

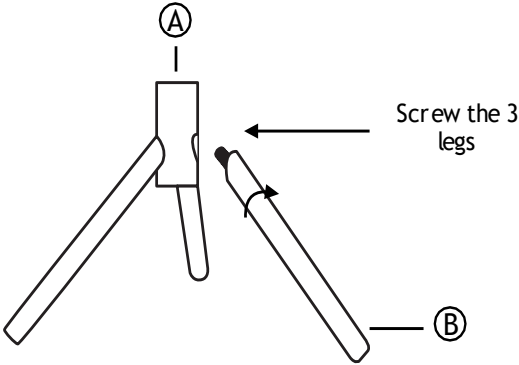
(C) x1

(D) x1

(E) x1

(F) x8

1

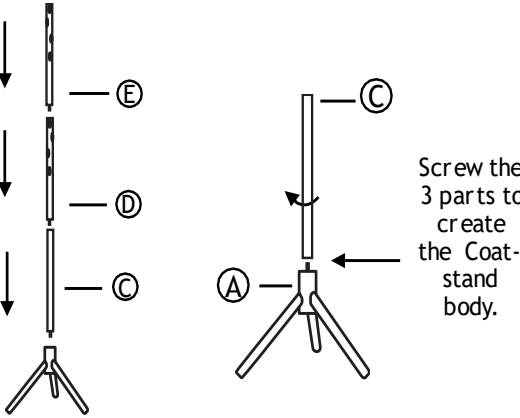


Screw the 3 legs

(A)

(B)

2



Screw the 3 parts to create the Coat-stand body.

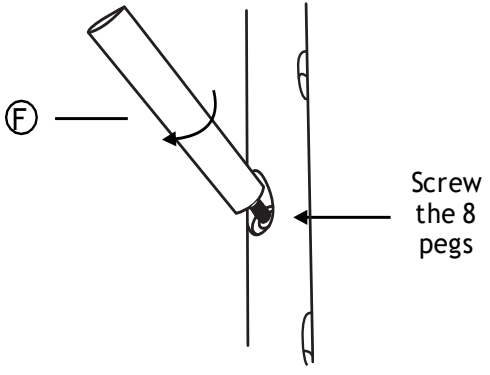
(C)

(E)

(D)

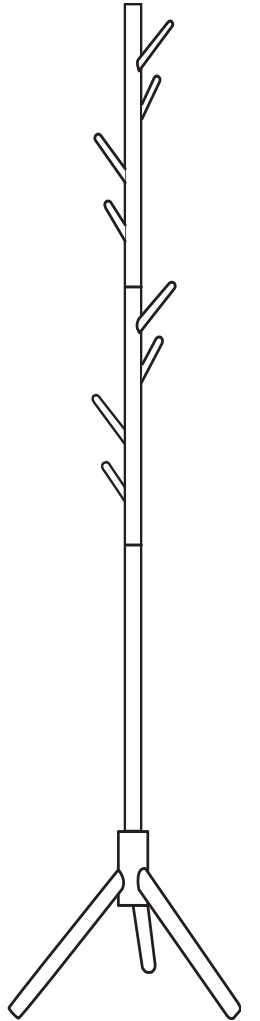
(A)

3



Screw the 8 pegs

(F)



174 cm

35 cm