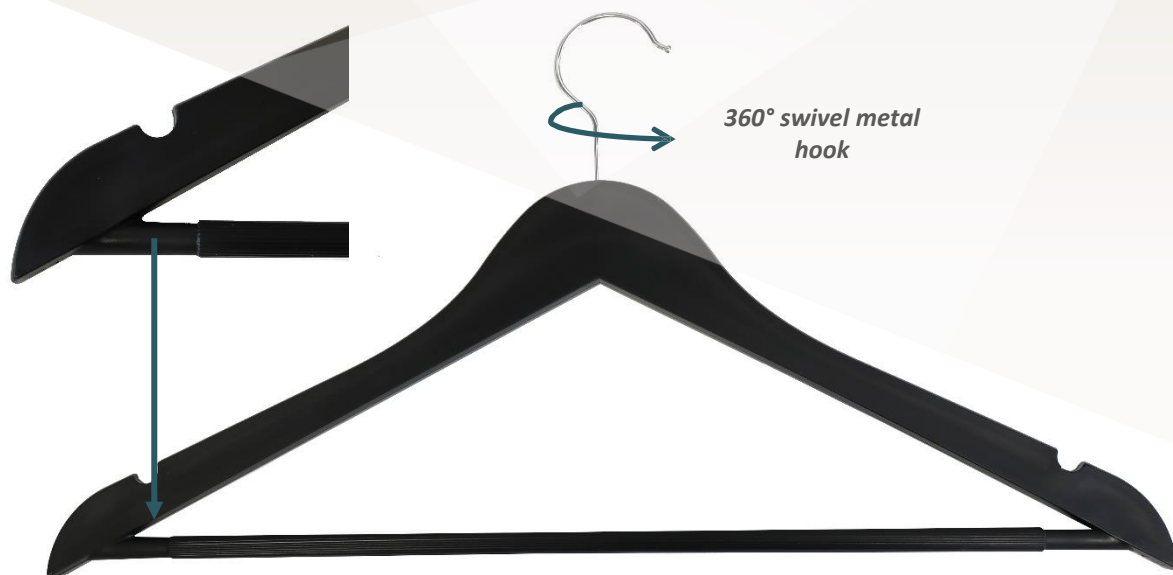




UNILUX

KLASSIK & KLASSIK PLUS

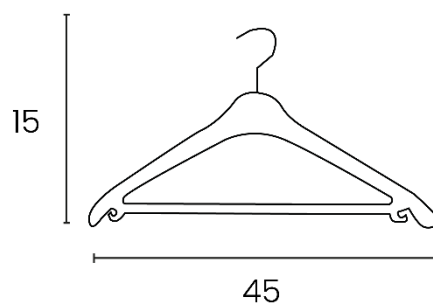
KLASSIK & KLASSIK PLUS



KLASSIK and KLASSIK PLUS hangers feature a non-slip side bar for added functionality. Their robust design means they can easily accommodate heavy garments. Its curved lines prevent garments from becoming distorted..

Supplied in packs of 20
 Plastic hanger with crossbar
 Materials: Steel/plastic

Discover our range of wood and plastic



SAP no.	Name	Color	Dimension of the hanger	Net weight pack	Warranty	EAN code	EA par carton
100340719	KLASSIK	Black	L45x H15 cm	1 kg	2 years	3595560005024	1 set of 20
400173518	KLASSIK PLUS	Black	L45x H15 cm	1 kg	2 years	3595560038213	1 set of 20