



UNILUX

---

SUCCESS 80 CHROME

# SUCCESS 80 CHROME



The lamps of the SUCCESS range are architectural lamps with a universal and timeless design that has been seducing for decades.

ON/OFF switch on the cable. Delivered with its base, clamp and without bulb, SUCCESS offers an ultra competitive price

# SUCCESS 80 CHROME



- Easy to handle: thanks to its double-jointed swivel arm, this lamp is equipped with compensation springs to facilitate its orientation in all directions.
- High-end design: its universal and timeless design has been attracting attention for decades thanks to its quality chrome finish.
- Protect your eyes: This LED desk lamp provides you with quality and comfortable lighting as it is flicker-free and drag-free for reading, working and concentrating. It is pleasant for the eyes and thus reduces the effects of fatigue.
- Stability: its weighted base ensures perfect stability of the lamp on your desk.
- Versatile: it is sold on a base and with clamp (maximum spacing 5 cm) and is suitable for all uses.

Warranty: 2 years

Max height: 80 cm/ minimum height: 15 cm

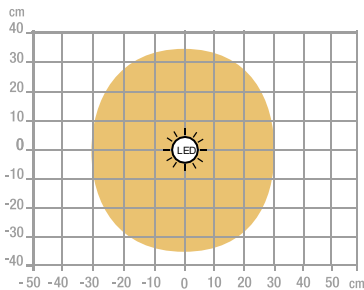
Materials: base, arm and head in epoxy painted steel and recyclable aluminum



End user replaceable light source (LED only)

## Characteristics

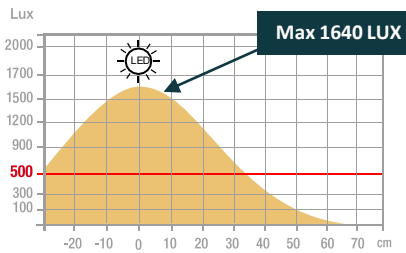
Measurement in Lux on the worktop  
in top view at 35 cm:



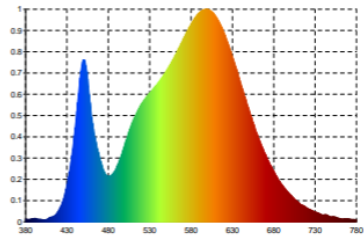
> 500 Lux

< 500 Lux

Measurement in Lux on the worktop  
in profile view at 35 cm:



Measurement in nanometers  
of the light spectrum



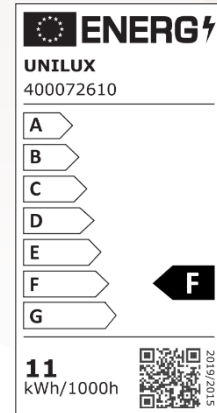
- 0 No-risk
- 1 Low-risk
- 2 Moderate-risk
- 3 High-risk

SAP no.	400092123
EAN code	3595560014255
Colors	Chrome
Luminous flow	915
Lux at 35cm	1640
Lm/W	83
Color T° ( K)	3000
CRI	84
Source Lifetime (h)	30 000
Energy consumption (kWh/1000 h)	11
USB Port	No
Inductive charger	Non
Net weight (kg)	3,61

# OUR CSR COMMITMENTS

1. All our lighting are **100% repairable** thus limiting planned obsolescence.
2. Reduce our carbon footprint through our **ECO-DESIGN THINKING** approach.
3. Contribute to the preservation of the planet's natural resources by promoting the use of **recycled materials**.
4. Optimize our packaging to control our **transport costs**.
5. Highlight the **talent of our employees** by ensuring social equality.

## Energy class



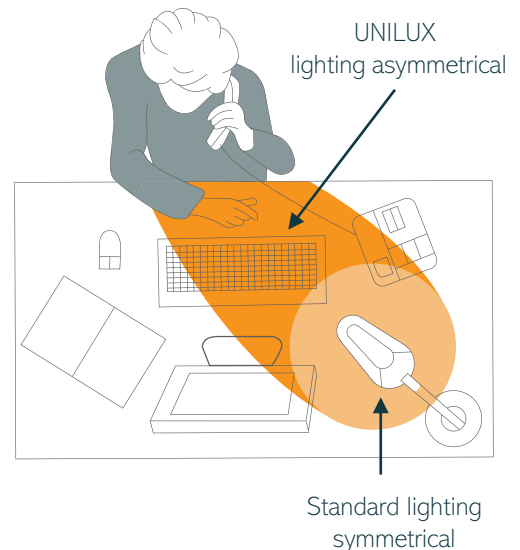
# OUR EXPERTISE

## 1-Why use auxiliary lighting?

We are regularly subjected to constant artificial lighting in the office, which takes no account of our biological rhythms. Poor lighting quality can cause headaches, sleep disorders and loss of concentration. According to a recent study, only 34% of offices achieve the level of illumination of 500 lux recommended by Occupational Medicine in accordance with DIN EN 12464-1\*.

## 2-How to light your workspace?

- Position the lamp head at least 35 cm above the worktop. work surface.
- Place the lamp on the opposite side to the hand that is holding the mouse or writing.
- Use lamps with asymmetrical lighting to reduce eyestrain, which can lead to eye irritation, headaches, loss of concentration, reduced productivity, etc.
- Position the lamp so that it is easy to adjust and so that the light is in the right place.
- Avoid reflections from shiny surfaces.
- Limit direct glare from bright light in the field of vision and indirect glare from bright light in the field of vision. in the field of vision and indirect glare from the reflection of light from the reflection of light in the field of vision, on a work surface walls or objects.



# OUR CERTIFICATIONS

Unilux is committed to an eco-responsible approach and ensures that its products respect this commitment. Indeed, we are very concerned about current environmental issues and we aspire to respond as best as possible to the concerns of our consumers on this subject. Sustainable development is at the heart of our strategy and we act for the environment. You will find below the different certifications that Unilux has and that prove its environmental commitment.





# UNILUX


\* DIN EN 12464-1 (DIN 5035-1): European standard which determines the lighting requirements for workstations in closed places, these satisfying the needs of comfort and visual performance. DIN EN 12464-1 replaced DIN 5035-1


# USER GUIDE


**i**

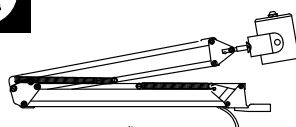
 x1

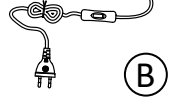
 1 min

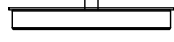



 [www.my-unilux.com](http://www.my-unilux.com)




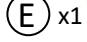
 (A) x1


 (B) x1

 (B) x1

 (C) x1

 (D) x1

 (E) x1

 (F)

